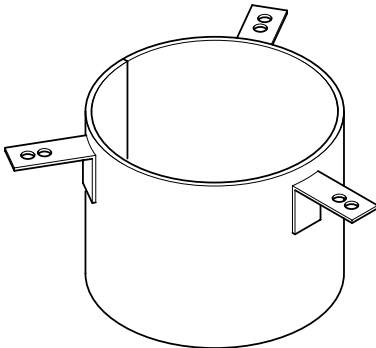
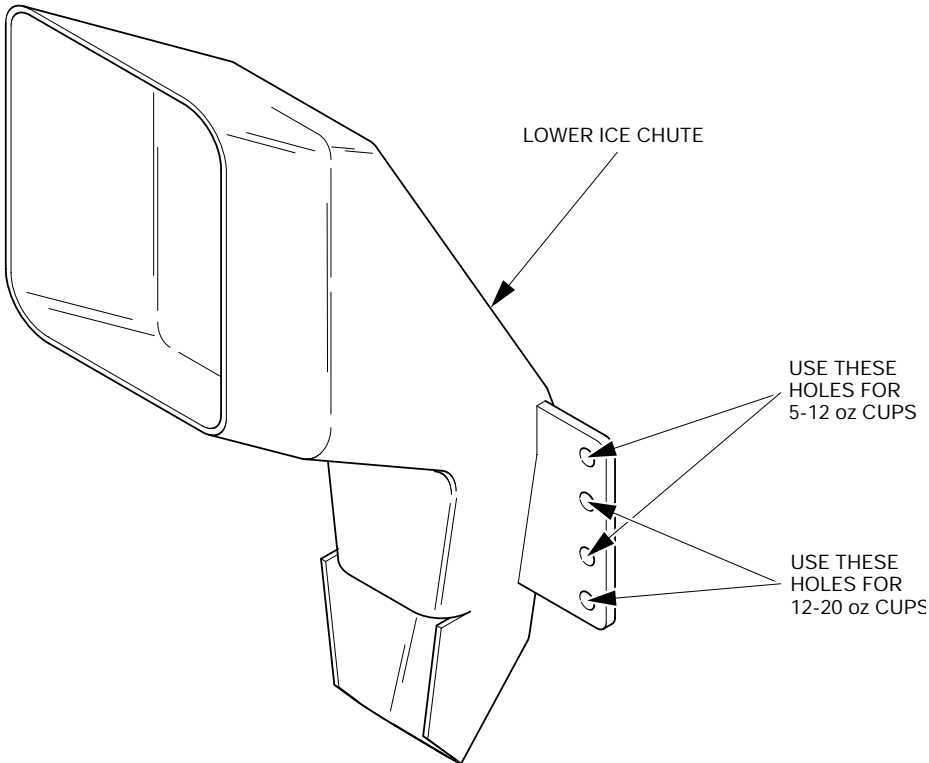


CUP DELIVERY TUBE AND LOWER ICE CHUTE USAGE INSTRUCTIONS

The parts shown below are used as follows:

- The lower ice chute is mounted to the cup station using one or the other pair of mounting holes, depending on the size of cups you are going to use. Be sure it is mounted properly (as shown) prior to dispensing cups.
- The cup delivery tube is mounted to the bottom of the cup ring **ONLY** if small (5-10 oz.) cups are being dispensed from that cup ring. Be sure this part is in place for those size cups. Otherwise, remove it and store it in a safe location.



CUP DELIVERY TUBE - 3283114 - ONLY NEEDED WITH 5-10 oz CUPS.
MOUNTS TO BOTTOM OF CUP RING